

[Confidential]

Sony Corporation

No. PMWM17-086R

Technical Memo

Issued : August 23, 2017

Class [3]

Revised : August 23, 2017

Subject: Part Change Info. [Pipe Lock Knob, Improved Reliability of Screw]

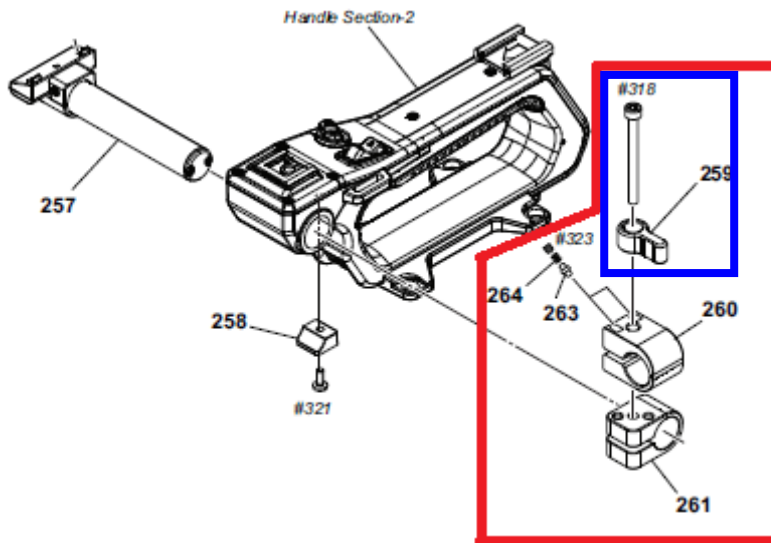
<< Revised Point(s) >>

[Applicable Model]

Model / Destination	Serial Number	Number of Unit
PXW-FS7 CEE	57749	
PXW-FS7 CN1	41472	
PXW-FS7 J	10921	
PXW-FS7 UC	28931	
PXW-FS7H CN1	49009	
PXW-FS7K CEE	All	
PXW-FS7K CN1	All	
PXW-FS7K J	All	
PXW-FS7K UC	All	

[Description]

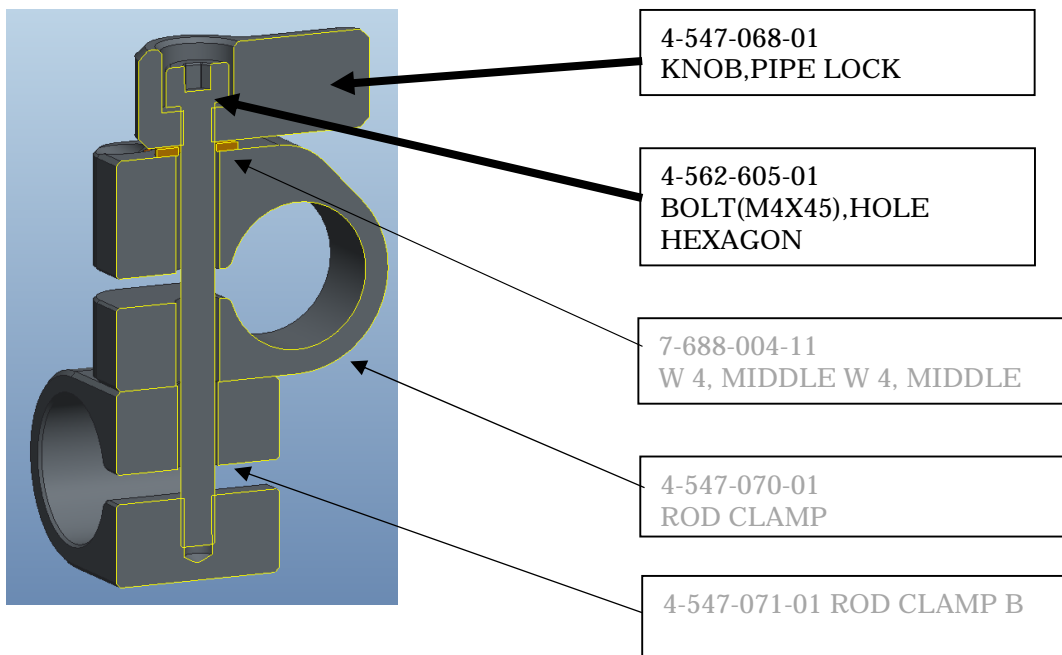
The parts in the blue frame are changed so that the reliability of the screw part of the mechanism of the pipe lock (as shown in the red frame) would be improved and they are registered as the service parts.

**[Part Registration Info.]**

Part Name	Part No.
KNOB ASSY (SVC), PIPE LOCK	A-2196-367-A
BOLT ASSY (SVC), PIPE LOCK	A-2196-368-A

<Reference>

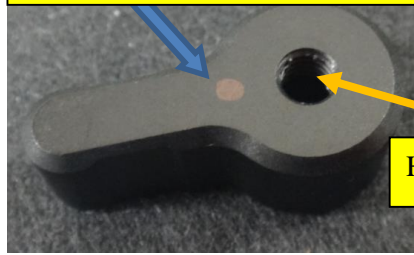
The above parts are the ones what the HANARL (dry type lubricant) is applied to the conventional Pipe lock knob and Hole hexagon bolt (M4x45).



(Old) KNOB,PIPE LOCK 4-547-068-01
 (New) KNOB ASSY (SVC), PIPE LOCK A-2196-367-A



Example of black marking



HANARL coating (internal thread)

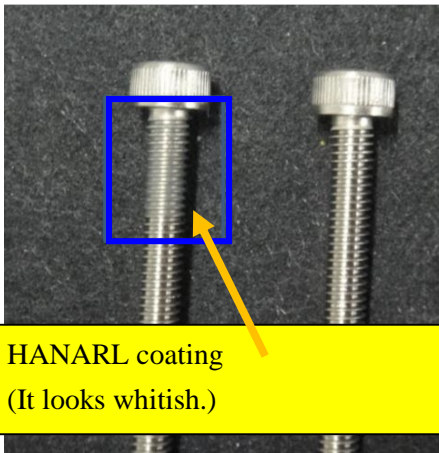
HANARL is applied to the internal thread.

There is black marking on the smooth surface. Though it is difficult to see, but it is discriminable by the reflected light.

(Old) BOLT(M4X45),HOLE HEXAGON 4-562-605-01
 (New) BOLT ASSY (SVC), PIPE LOCK A-2196-368-A

塗布品

塗布無し品



HANARL coating
 (It looks whitish.)



Example of black marking
 (Bottom of hexagonal hole)

HANARL is applied to the area from the head of the bolt over a range of about 10mm along. It looks whitish.

Additionally, there is black marking on the bottom of the hexagonal hole.

[Note on Part Replacement]

When replacing either of two parts, replace both of them to new parts at the same time.